



New



Perpendicular or parallel mounting accessories are included in the surface mounted versions.

# Lissa

## exit signs



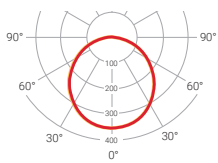
VIEWING DISTANCE

48 m.

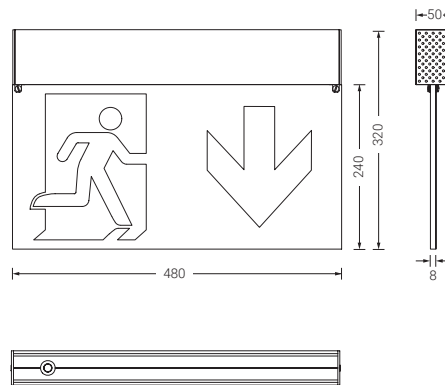
with pictograms  
Type PLI-A/SD/SU

10 m.

with pictograms  
Type PLI-BIE/EXT/PUL



— CD-C180  
— C90-C270  
η=100%



Blade diffuser and pictograms PLI-A, PLI-SU and PLI-SD included



EN 60598-2-22  
EN 60598-1

EN 1838 | 48 m



Available also as emergency light (page 74)



For special luminaires, please contact us


## Lissa exit signs surface mounted

## Surface

## Standard

Maintained MULTILED


IP  
20

	FINISHING	COM	AUTONOMY		PACKAGING
<b>LN</b>	White	—	1 h	3,3	20
<b>LN3</b>	White	—	3 h	3,7	20

## Autotest

Maintained MULTILED

IP  
20

	FINISHING	COM	AUTONOMY		PACKAGING
<b>LNA</b>	White	—	1 h	3,3	20
<b>LNA3</b>	White	—	3 h	3,7	20

## Intelligent DALI

Compatible with **NormaLINK** 

Maintained MULTILED

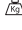
IP  
20

	FINISHING	COM	AUTONOMY		PACKAGING
<b>LNID</b>	White	DALI	1 h	3,3	20
<b>LNID3</b>	White	DALI	3 h	2,8	20

## Central Battery System

Maintained MULTILED

IP  
20

	FINISHING	POWER SUPPLY	LUMEN OUTPUT	CONSUMPTION	CURRENT		PACKAGING
<b>C24 LN-S16L24</b>	White	24 Vcc	—	4 W	0,166 A	2,6	20
<b>C24i LNI-S16L24</b>	White	24 Vcc	—	4 W	0,166 A	3,0	20
<b>LN-S16L</b>	White	230 Vca	—	5 W	0,044 A	3,0	20

## Accessories

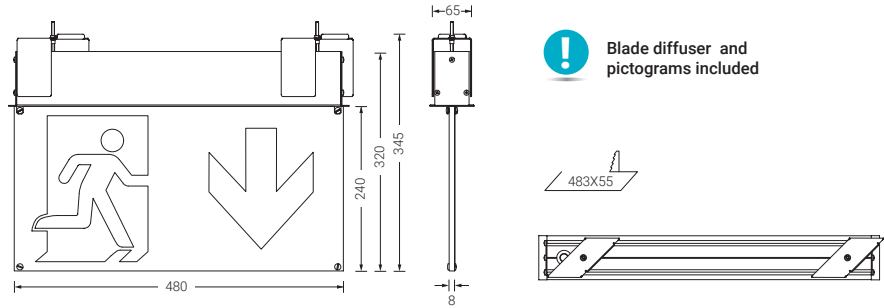
## Suspension accessory

**LN-KS** Suspended from the ceiling by a steel cable (including power supply wire of 2 m)

## Pictograms

**Type PLI** Non adhesive pictogram 480 x 240 mm. *References according to table below***Type PLI** 480 x 240 mmREF. **PLI-A**REF. **PLI-A**REF. **PLI-SD**REF. **PLI-SU**REF. **PLI-BIE**REF. **PLI-EXT**REF. **PLI-PUL**Maximum viewing distance  
(according to EN1838 for  
internally illuminated signs)**48 m**Maximum viewing distance  
(according to CTE)**10 m**Please check for other  
pictograms


## Recessed mounting



## Standard

### Maintained MULTILED


IP  
20

	FINISHING	COM	AUTONOMY		PACKAGING
<b>LNE</b>	White	—	1 h	3,9	20
<b>LNE3</b>	White	—	3 h	4,3	20

## Autotest

### Maintained MULTILED

IP  
20

	FINISHING	COM	AUTONOMY		PACKAGING
<b>LNEA</b>	White	—	1 h	3,9	20
<b>LNEA3</b>	White	—	3 h	4,3	20



## Lissa exit signs recessed mounting

## Intelligent DALI

Compatible with **NormaLINK**

## Maintained MULTILED

IP  
20

	FINISHING	COM	AUTONOMY		PACKAGING
<b>LNEID</b>	White	DALI	1 h	3,9	20
<b>LNEID3</b>	White	DALI	3 h	3,3	20

Each fitting includes:

- A LN fitting
- A blade diffuser
- Four pictograms (2 PLI-A, 1 PLI-SU and 1 PLI-W)

## Central Battery System

## Maintained MULTILED

IP  
20

	FINISHING	POWER SUPPLY	LUMEN OUTPUT	CONSUMPTION	CURRENT		PACKAGING
<b>C24</b>	<b>LNE-S16L24</b>	White	24 Vcc	—	4 W	0,166 A	3,1 20
<b>C24i</b>	<b>LNEI-S16L24</b>	White	24 Vcc	—	4 W	0,166 A	3,6 20
	<b>LNE-S16L</b>	White	230 Vca	—	5 W	0,044 A	4,1 20

## Accessories

## Pictograms

**Type PLI** Non adhesive pictogram 480 x 240 mm. *References according to table below***Type PLI** 480 x 240 mmREF: **PLI-A**REF: **PLI-A**REF: **PLI-SD**REF: **PLI-SU**Maximum viewing distance  
(according to EN1838 for  
internally illuminated signs)**48 m**REF: **PLI-BIE**REF: **PLI-EXT**REF: **PLI-PUL**Maximum viewing distance  
(according to CTE)**10 m**Please check for other  
pictograms