



## Step light

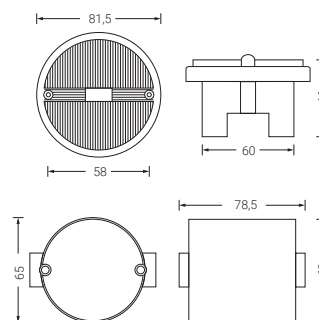
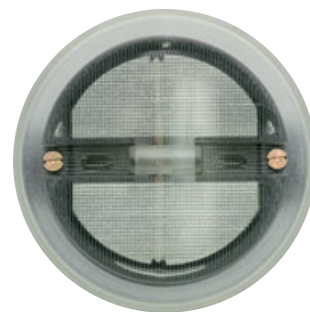
24V CBS  
version available

# BR Step light

## BR/BRE

Technical features:

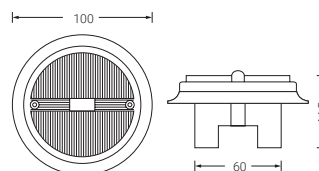
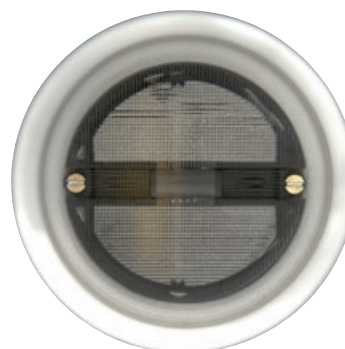
- White LED.
- Assembly: includes recession box.
- Reference norms EN 60598-1
- Signalling with a LED.
- Power 230V, 50/60 Hz.
- Housing and diffuser: Polycarbonate
- Charging time 24 hours.
- Possibility of remote control.
- IP 55 in Ref. BRE.



## BRU/BREU

Technical features:

- White LED.
- Universal box installation (two screws).
- Reference norms EN 60598-1
- Signalling with a LED.
- Power 230V, 50/60 Hz.
- Housing and diffuser: Polycarbonate
- Charging time 24 hours.
- Possibility of remote control.
- IP 55 in Ref. BREU.
- White frame.



24v DC version is compatible with the C24 central battery system (information on page 158) and with the power supply module for step lights MA24-6 (information on page 140).

	LAMP	COLOUR	IP	AUTONOMY	BATTERY	PACKAGING
<b>BR</b>	LED	Grey	42	1 h	3,6 V · 60 mAh	20
<b>BRU</b>	LED	Grey	42	1 h	3,6 V · 60 mAh	20
<b>BRE</b>	LED	Grey	65	1 h	3,6 V · 60 mAh	20
<b>BREU</b>	LED	Grey	65	1 h	3,6 V · 60 mAh	20

LEDs available in different colors.  
Available **24v DC**, ref: +Y